



3OK

2015/16

THE BIG RED BOOK

- ▶ **Electrical Varnishes**
- ▶ **Resins**
- ▶ **Insulation Materials**
- ▶ **Electric Motor Spares**

CONTENTS

Introduction to 3GK Ltd	3
AEV List of Varnishes	4
AEV List of Resins	5
Aerosols, Link Packs & Anti Corona Paint	6
Cable & Sleeving	8
Silicoul & Siwo-kul High Voltage Cable	9
Flexible Insulation Materials	10
Slot Wedges	10
Insulating Rigid Laminates	10
Blue Fans and Inserts	12
Low Profile Fans	14
Unpainted Steel Fan Cowls	16
KM Terminal Blocks	18
TB Terminal Blocks	20
Anti-Condensation Heater Tapes	22
Thermistors – Single and Triple	24
RTD/PT100 Relays	24
Thermal Cut Outs	26
Motor Start Capacitors	27
Motor Run Capacitors	28
Electrical Tapes	30
Tying Cord	31
Bearings and Bearing Heaters	32
Brazing Rods	33
Copper Strip	33
Small Hand Tools	34
Specialist Machined Wedges	35

Please contact 3GK for items not listed that you wish us to source

THE GLOBAL EXPORTERS

- Established in 2007 as an offset of AEV Ltd for the distribution of insulation materials and ancillary items
- An established export and distribution company
- Accredited to BS EN ISO 9001:2008
- Agents and distributors for AEV Ltd in the Middle East
- Represents UK based Houghton International, manufacturers of High Voltage Coils

Suppliers of:

- A wide range of electrical insulation materials and electric motor spares
- Enamelled Copper Wire and Copper Strip (covered or enamelled)
- Complete VPI plants and solutions with AEV Iberica in Spain

Delivery Worldwide
Making the World a Smaller Place



AEV RANGE OF PRODUCTS

Ultimeg 2000 / 372 Air Drying Range

- Available in a range of colours:
Red, Clear, Golden, Dark Grey, Black, Gentian Blue and White
- Class H, UL Approved
- Packaging: 400ml Aerosol, 1 litre, 5 litre, 25 litre, 210 litre

Ultimeg 2000 / 380 Impregnating Varnish

- Class H, UL Approved
- Suitable for Tanks
- Packaging: 1 litre, 5 litre, 25 litre, 210 litre, 1000 litre

Ultimeg 2000 / 250 Freon Resistant Varnish

- Suitable for refrigeration and compressor motors
- Packaging: 1 litre, 5 litre, 25 litre, 210 litre

Ultimeg 2000 / 327 Core Plate Varnish

- Specialist core plate varnish for restacking
- Packaging: 5 litre, 25 litre, 210 litre

Ultimeg 2000 / 332 Impregnating Varnish

- High temperature up to 200°C
- Class N
- Suitable for Tanks
- Packaging: 5 litre, 25 litre, 210 litre

Ultimeg 2000 / T4 Thinner

- General purpose solvent
- Packaging: 5 litre, 25 litre, 210 litre

Ultimeg 2020 Epoxy Resin

- 2-part Epoxy Resin
- Available in link packs - 0.125 kg, 0.250 kg
- Available in tins - 0.5 kg, 1 kg, 5 kg

Ultimeg 2002T

Single part epoxy resin ideal for VPI

Available in - 25 kg, 230 kg, 1000 kg IBC

OTHER SPECIALIST RESINS

Ultimate 2001 Wet Wind Resin

- Class H Single Part Thixotropic Epoxy
- Packaging - 7 kg tin

Ultifil 2004TCB Epoxy Resin

- 2-part Epoxy Resin
- Flame Retardant UL Approved
- Class H High Thermal Conductivity
- Packaging - 5 kg tin

Ultifil 2000 820 A&B 2-part Epoxy Paste

- High Build Protective Coating
- Available in tins - 3 kg or 7 kg

Epoxy Putty

- 2-part AEV Putty
- Packaging: 2 kg pack (10 strips of each)
- Also available - Bicaseal Putty 0.5 kg pack

All Data and MSDS – Available on Request

AEV AEROSOL RANGE

PRODUCT	PER AEROSOL
Ultimeg Anti Tracking Enamel Class H - Red	£2.55
Ultimeg Anti Tracking Enamel Class H - Golden	£2.55
Ultimeg Anti Tracking Enamel Class H - Clear	£2.55
Ultimeg Anti Tracking Enamel Class H - Dark Grey	£2.55
Ultimeg Anti Tracking Enamel Class H - Black	£2.55
Meggawash 420 Cleaning Solvent	£2.60
Ultilube 20 Heavy Duty Penetrating Spray	£2.50

All products sold in 400ml tins, and in boxes of 12.

All products are packaged CFC free. The Anti Tracking enamels and varnishes contain anti fungicide which make them particularly suitable for tropicalisation.

AEV LINK PACKS

The link packs enable longer shelf life and ease of use of two part AEV resin systems. In the link pack form users are given a convenient, reliable, mess free method of mixing and dispensing resins.

Ultimeg 2020

Two part epoxy trickle impregnating resin, clear, class H

LINK PACK SIZE	PRICE EACH
0.125kg	£3.10
0.25kg	£4.45

ANTI CORONA PAINT

- Semi-conductive paint 8001 used up to class F for end Corona protection
- Conductive paint 8003 used up to class F for slot Corona protection
- Supplied in 1kg tins



CABLE, SLEEVING & TAPES

Motor Lead Cables

- Varpren 0.5mm - 70mm
- Zyrad 500 0.5mm - 70mm
- 2MN180 0.25mm - 90mm
- Silicoul / Siwokul 1.1KV, 3.3KV, 6.6KV, 13.8KV; 2.5mm - 240mm

Sleeving (Class F / Class H)

- 4KV Varnished Glass 0.5mm - 25mm
- 3.5KV Silicone Varnish Glass, Class H, 0.5mm - 50mm
- Annealed Glass 1KV 0.5mm - 12mm



SILICOUL™ & SIWO-KUL™ HIGH VOLTAGE CABLE

- Manufactured in the voltage range of:
- 1.1KV, 3.3KV/3.7KV, 6.6KV and 13.8KV
- Continuous working temperature: 60°C to + 180°C Peaks at + 230°C
- Good resistance to thermal shock and UV
- Excellent ageing resistance
- Good resistance to ozone and the corona effect
- Excellent mechanical strength
- Compatible with most impregnation varnishes
- A very flexible single core cable
- Used where high flexibility is required and high temperature conditions are present
- Operating temperature for continuous service extends from -55°C up to 180°C





FLEXIBLE INSULATION MATERIALS

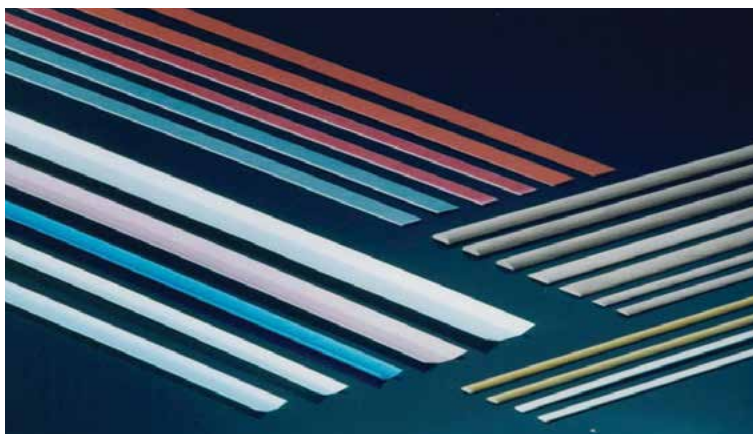
- D.M.D.
- Nomex® / Polyester
- Nomex® / Polyester / Nomex®
- Polyester Film
- Nomex® 410
- ISO Varnished Glass
- Elephantide / Polyester
- Presspahn

SLOT WEDGES

- P.G.M. 1.6mm & 3.2mm thick 3mm - 12mm wide
- Wooden Wedges 3mm - 12mm wide
- Red Fibre Wedges 3mm - 12mm wide
- Epoxy Glass & Magnetic Sizes available on request
- Specialist Sizes Manufactured To Customers Requirement (See Page 35)

INSULATING RIGID LAMINATES

- S.R.B.P. 0.8mm – 25mm thick
- S.R.B.F. 0.8mm – 25mm thick
- P.G.M. 0.8mm – 25mm thick
- Epoxy Glass 0.8mm – 25mm thick

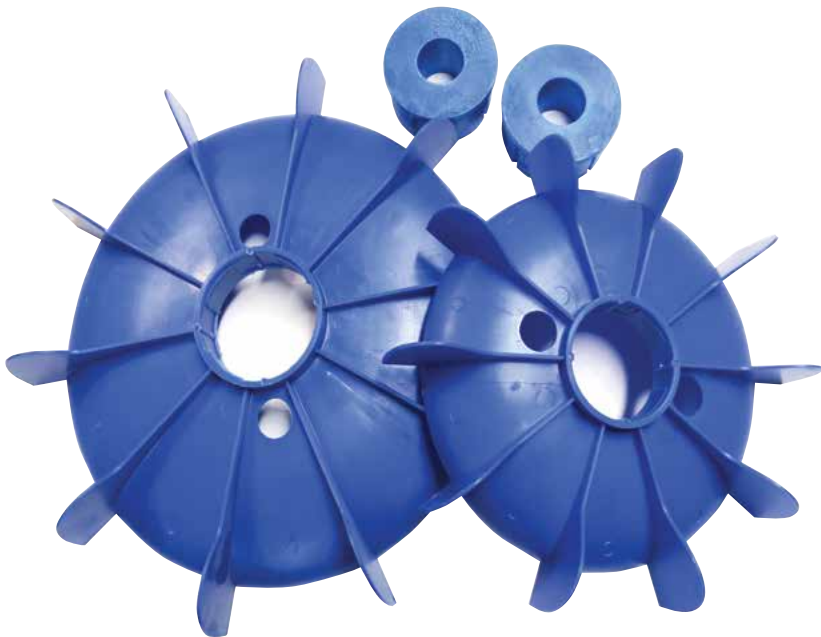
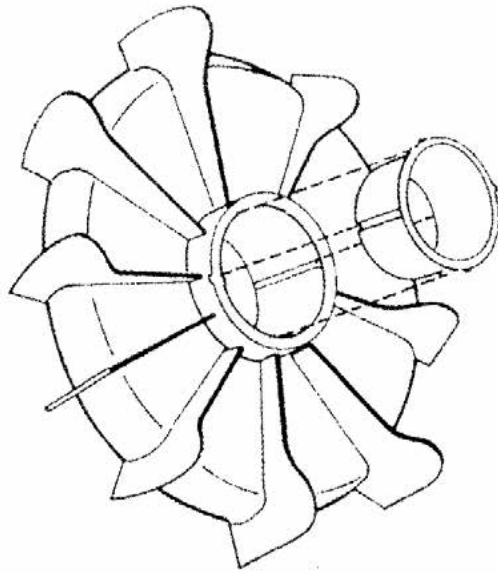


BLUE FANS WITH BLUE INSERTS

CODE	DIAMETER mm	HEIGHT mm	PRICE
BF71	122	26	£1.20
BF80	132	26	£1.40
BF90	167	33	£1.60
BF100	171	37	£1.70
BF112	216	46	£3.10
BF132	246	56	£3.80
BF160	298	56	£7.50
BF180	333	56	£10.00

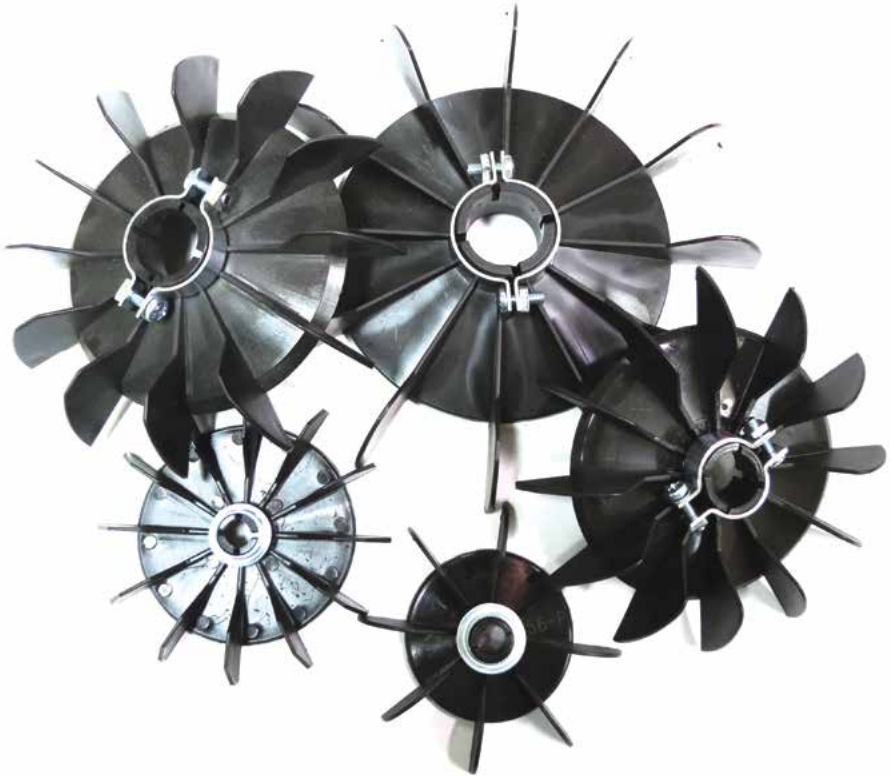
INSERT CODE	BORES AVAILABLE	MIN. BORE (Pilot)	MAX. BORE (Diameter)	PRICE
BI 71/80	PILOT, 14, 16, 19, 20, 22	3mm	22mm	£1.55
BI 90/100	PILOT, 24, 25, 30	17mm	35mm	£1.90
BI 112/132	PILOT, 28, 30, 32, 38, 40, 45	20mm	48mm	£1.95
BI 160/180	PILOT, 42, 45, 50	29mm	55mm	£2.00

- Each fan has interchangeable inserts available
- Designed to fit a wide range of shaft sizes
- Heat resistant

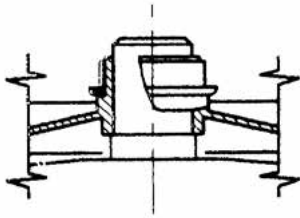


LOW PROFILE FANS

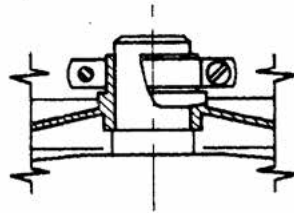
- Strong nylon construction
- Fits most standard motors
- Low profile for easy fit
- Cost effective
- Trimmable Blades



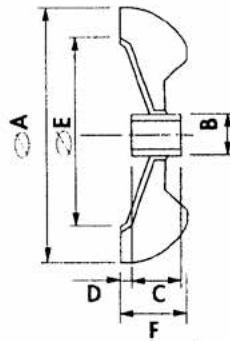
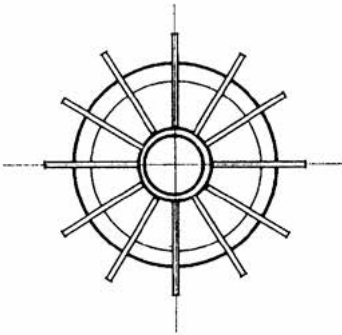
SIZE	TYPE	A (mm)	B (mm)	C	D	E (mm)	F (mm)	PRICE
56	Z	100	11	20Z	2Z	64	20	£0.60
63	Z	117	11	18Z	3Z	78	23	£0.70
71	Z	134	14	19Z	6Z	90	29	£0.80
80	Z	144	19	18Z	5Z	100	29	£1.00
90	Z	167	24	23Z	6Z	118	32	£1.05
100	Y	183	28	25Y	5Y	128	34	£1.50
112	Y	205	28	27Y	6Y	137	37	£1.60
132	Y	239	38	30Y	11Y	179	49	£2.50
160	Y	295	45	34Y	13Y	206	54	£3.00



Z - PUSH ON WASHER



Y - SCREW CLAMP

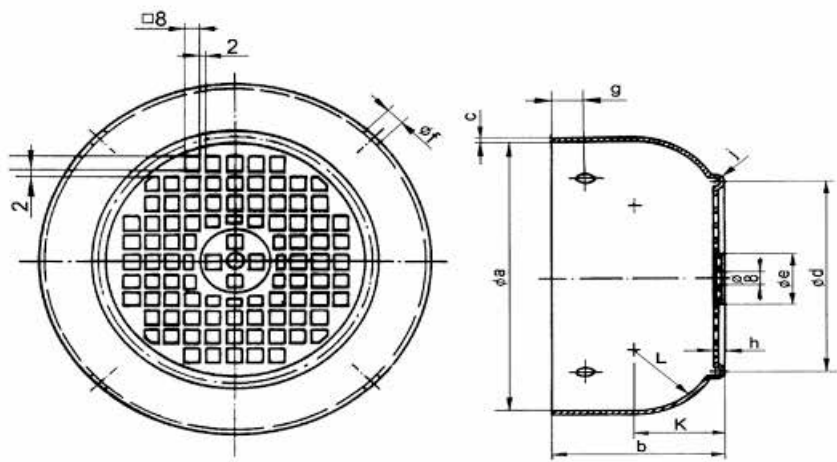




UNPAINTED STEEL FAN COWLS

- Manufactured deep drawn plate 1.5mm
- Frame size 56-315
- All sizes in mm

FRAME SIZE	Øa	b	c	Ød	Øe	Øf	g	h	i	K	L	AIR VOL. THROUGH HOLES cm ³ /s	PRICE EACH
56	108.5	53.5	1.5	78	14	4.8	10	1.5	3.5	29	28	21.6	£2.50
63	121	61	1.5	85	17	4.8	14	1.5	4	32	31	26.4	£3.00
71	136	70.5	1.5	95	18	5.8	10	1.5	4	35.5	35	34	£3.25
80	154	75	1.5	112	25	5.8	14	1.5	4	39.5	40	45.3	£3.50
90	174	86	1.5	125	30	5.8	16	1.5	4	45	46.5	57.4	£4.00
100	192	95	1.5	133	34	5.8	18	1.5	4	49.3	47.7	70.2	£4.50
112	216	99	1.5	152	34	5.8	16	1.5	4	54	55	93.3	£5.00
132	255	117	1.5	173	42	5.8	23	1.5	4	64	64	110	£7.00
160	307	136	1.5	205	46	6.8	25	2	4	69.5	65	152.2	£14.00
180	345	155	1.5	218	52	6.8	35	2	4	71	65	181	£23.00
200	382	178	1.5	250	69	6.8	38	2	4	72	66	241	£34.00
225	430	192	1.5	263	69	6.8	42	3	4	96	90	241	£38.00
250	477	220	1.5	297	85	8.8	46	3.5	5	95	90	325	£55.00
280	533	238.5	1.5	320	95	8.8	50	3.5	5	113	108	360	£80.00
315	597	257	1.5	340	100	8.8	50	3.5	5	135	130	410	£160.00



KM TERMINAL BLOCKS

A robust, low-cost, six-stud terminal board designed for use on motors but equally suitable for many other applications. Standard KM terminals are moulded in beige glass fibre reinforced polyester dough moulding compound. All terminals are supplied as bare studs without furnishings or links, unless specified.

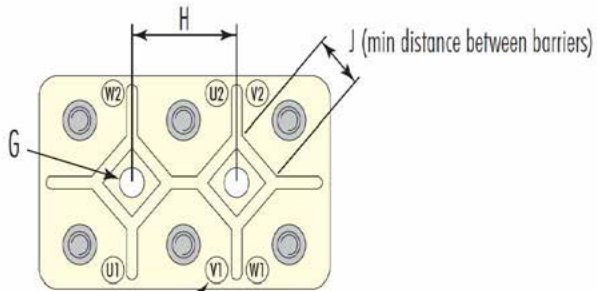
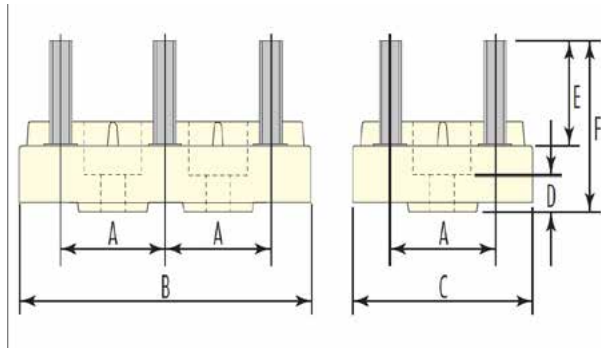
SPECIFICATION

- Studs Material Mild steel
- Studs Finish Steel: zinc plated, yellow chromate passivated to BS3382, Part 2
- Sizes See table below
- Base For standard KM Terminals
- Colour Beige
- UL Approval UL94-V0
- CTI >600V DIN 53480/B
- Rated Voltage 660V
- Dielectric Strength 8KV / MM / BS2782 / 2014

PART NO.	A mm	B mm	C mm	D mm	E mm	F mm	G mm	H mm	J mm
KM4	20	54	34	5	16	29	5.5	20	10
KM5	23	64	40	5	18	31	5.5	23	10
KM6	28	78	48	6	23	39	6.6	28	11
KM8	35	96	60	8	28	46	9	35	15
KM10	45	120	75	10	34	56	11	45	18

Part No.	Link Rating Amps	Cable Lug Max mm ²	Terminal to Terminal KV	Terminal to Earth KV
KM4	16	6	12	8
KM5	25	16	14	8
KM6	60	35	16.8	11
KM8	100	70	18.4	13
KM10	160	120	22	14

Part No.	Blocks	Links
KM4	£4.30	£0.37
KM5	£4.85	£0.40
KM6	£5.40	£0.44
KM8	£8.10	£0.60
KM10	£13.00	£1.40



DIN Markings

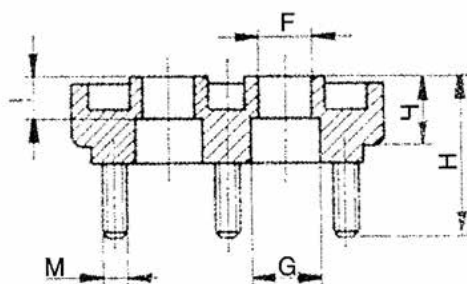
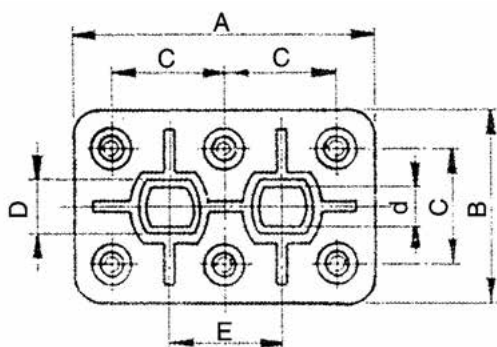




TB TERMINAL BLOCKS

- Low cost furnished TB range
- All blocks come complete with:
 - Nuts (12), Washers (6), Links (3)
 - TB 3, 4 and 5 sold in minimum quantities of 10
- All sizes in mm

TB	A	B	C	D	d	E	F	G	H	h	I	M	PRICE
3	40	25	15	8.5	4	12-18	7.0	8.5	20	10	5	M3	£ 0.90
4	50	32	18	8.0	4.5	15-21	6.0	9.5	22	10	6	M4	£ 0.95
5	56	36	20	9.5	5.5	16-23	7.5	11.5	27	11	8	M5	£ 1.15
6	70	45	25	10.5	6.5	23-28	9.5	13.0	31	13	9	M6	£ 2.10
8	95	60	35	16.0	7.5	29-39	12.0	19.0	47	20	14	M8	£ 5.40
10	115	70	45	24.0	10.0	40-47	14.0	19.0	50	19	14	M10	£10.00
12	125	80	45	16.0	11.0	40-49	15.0	21.0	58	22	15	M12	£16.00
14	145	90	54	24.0	14.0	45-61	22.0	32.0	67	28	17	M14	£35.00
16	165	100	62	23.0	13.0	52-74	23.0	30.0	78	35	28	M16	£50.00
20	240	150	90	30.0	17.0	84-95	22.0	35.0	105	43	32	M20	£90.00



ANTI-CONDENSATION HEATER TAPES FOR ELECTRIC MOTORS

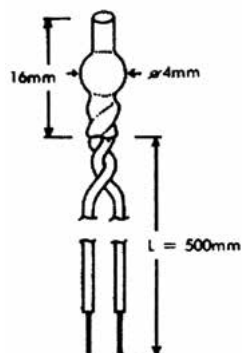
PART REF.	LENGTH		VOLTAGE V	POWER W	PRICE £
	mm	ins			
00A	203	8	110	8	£ 5.50
00B	203	8	230	8	£ 5.50
0A	305	12	110	22	£ 5.80
0B	305	12	230	25	£ 5.80
1A	432	17	110	27	£ 5.90
1B	432	17	230	26	£ 5.90
2A	686	27	110	21	£ 6.80
2B	686	27	230	21	£ 6.80
3A	686	27	110	40	£ 6.80
3B	686	27	230	40	£ 6.80
4A	762	30	110	26	£ 7.30
4B	762	30	230	26	£ 7.30
5A	1016	40	110	42	£ 7.90
5B	1016	40	230	42	£ 7.90
6A	1067	42	110	50	£ 8.10
6B	1067	42	230	50	£ 8.10
7A	1473	58	110	65	£ 9.30
7B	1473	58	230	65	£ 9.30
8A	1702	67	110	100	£10.50
8B	1702	67	230	100	£10.50
9A	1850	73	110	100	£10.60
9B	1850	73	230	100	£10.60

- Test voltage – (dielectric strength) : 2000rms dry
- 155°C limit on acrylic adhesive / polyester primary cover
- For 380V / 415V supply it is usual to connect 2 of 220V units in series
- Standard cord length : 500mm



RANGE OF TRIPLE & SINGLE THERMISTORS

TEMP °C	LEAD COLOUR	SHRINK SLEEVE
80	WHITE / WHITE	KYNAR
90	GREEN / GREEN	KYNAR
*100	RED / RED	KYNAR
*110	BROWN / BROWN	KYNAR
*120	GREY / GREY	KYNAR
*130	BLUE / BLUE	KYNAR
*140	BLUE / WHITE	KYNAR
*150	BLACK / BLACK	KYNAR
*160	RED / BLUE	KYNAR
170	WHITE / GREEN	P.T.F.E.
*180	WHITE / RED	P.T.F.E.
190	GREY / BROWN	P.T.F.E.



*Available in singles & triples

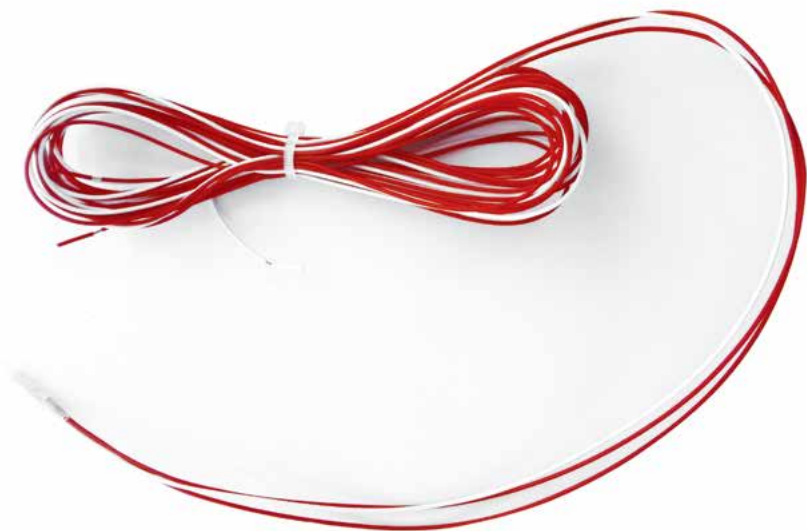
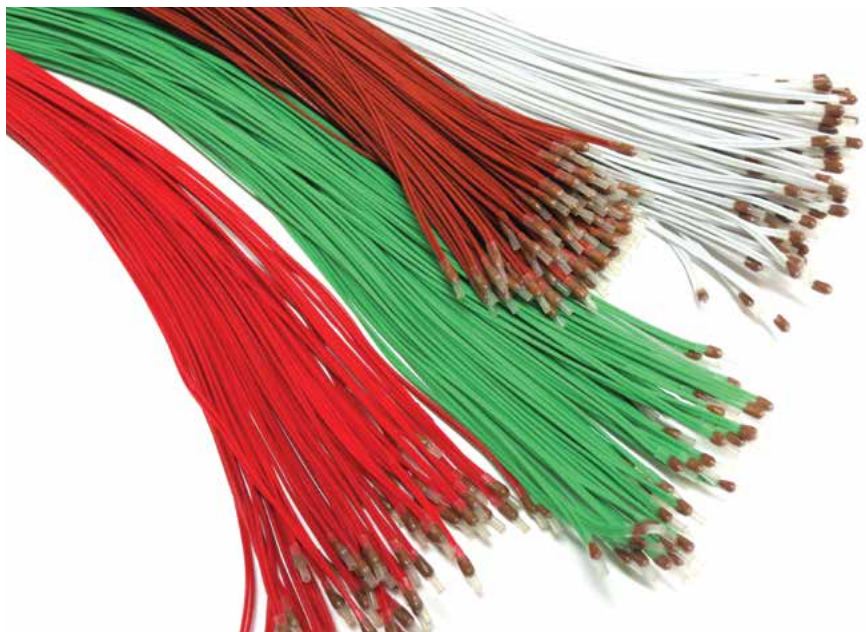
- **Singles** **£0.90 each**
- **Triplets** **£2.50 each**

RTD/PT100 RELAYS

These are used for precise temperature monitoring

Their precise nature allows for temperature monitoring, control and switching in windings, bearings, machines, motors, transformers and other applications

- Precise linear temperature/resistance characteristics
- Accurate to $\pm 0.5^{\circ}\text{C}$

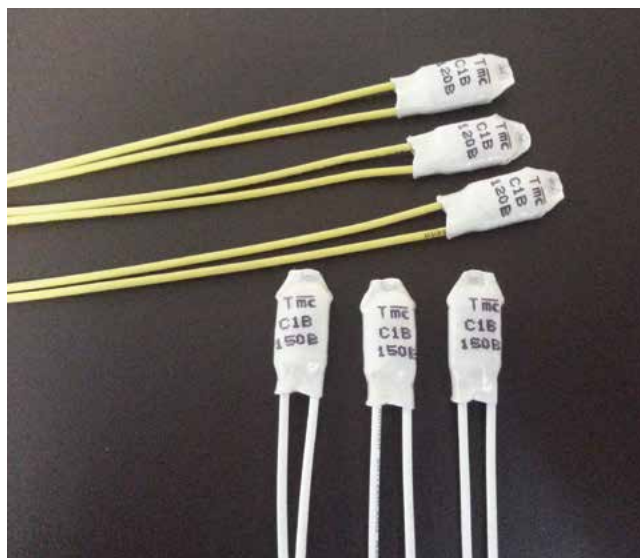


THERMAL CUT OUTS

TECHNICAL DATA

Temperature Range	80, 90, 100, 110, 120, 130, 140, 150, 160°C
Tolerance	± 5k Market as "B", others on request
Switching Principle	Temperature and Current Dependent
Function	Normally Closed Automatically Reset
Rated Voltage	250V AC
Rated Current	2.5 AMP PF 1
Standard Wire	80mm, AWG 24, Stranded; Others on request
Number of Cycles	UL Approved protector only with UL recognised wire 10,000
Approvals	VDE approved according to UL 547 FILE: E 173 279

Price £0.90 each



MOTOR START CAPACITORS

MFD 250/275V	DIMENSIONS IN mm	PRICE EACH
40-50	38 x 75	£3.70
50-63	38 x 75	£3.80
63-80	36 x 98	£4.30
80-100	36 x 98	£4.50
100-125	46 x 98	£5.50
125-150	46 x 98	£6.00
160-200	46 x 98	£6.50
200-250	46 x 98	£6.80
250-315	46 x 122	£9.60

- **Leads 35p each**
- Price includes cap and fixing bracket
- Please ask if you require 150V start capacitors



MOTOR RUN CAPACITORS

Italfarad

- 400 / 450 Volts
- RPN series plastic case & bottom stud with 6.35mm faston & plastic cap
- RPC series with flying lead & stud



RPN SERIES MFD	PRICE EACH	RPC SERIES MFD	PRICE EACH	CASE DIMENSIONS IN MM (RPN + 14.5MM FASTON HEIGHT)
1	£0.70	1	£0.75	28 x 56
1.5	£0.78	1.5	£0.85	28 x 56
2	£0.80	2	£0.90	28 x 56
2.5	£0.85	2.5	£0.95	28 x 56
3	£0.88	3	£0.98	28 x 56
4	£0.90	4	£1.00	28 x 56
5	£0.94	5	£1.04	28 x 56
6	£0.95	6	£1.08	28 x 56
8	£1.00	8	£1.14	32 x 56
10	£1.05	10	£1.20	36 x 70
12	£1.20	12	£1.28	36 x 70
14	£1.25	14	£1.35	36 x 70
15	£1.30	15	£1.45	36 x 70
16	£1.40	16	£1.55	36 x 70
20	£1.50	20	£1.65	40 x 68
25	£1.60	25	£1.85	40 x 93
30	£1.99	30	£2.10	40 x 93
35	£2.10	35	£2.25	45 x 93
40	£2.20	40	£2.45	50 x 93
45	£2.45			50 x 93
50	£2.65	50	£3.00	50 x 93
60	£3.15	60	£3.40	50 x 118
70	£3.45	70	£3.55	55 x 118
80	£4.05			55 x 122
100	£4.90			60 x 122

ELECTRICAL TAPES



NON-ADHESIVE ELECTRICAL TAPES

- Cotton 13mm - 50mm wide
- Polyester/Terylene 13mm - 50mm wide
- Tying Cords 2.5mm - 11mm wide
- Mica Tapes 25mm wide
- Banding Tape 12mm, 20mm, 25mm wide
- Woven Glass:
0.09mm & 0.13mm thickness 13mm - 50mm wide

ADHESIVE ELECTRICAL TAPES

- Polyester 3mm - 75mm wide
- Kapton 6mm - 50mm wide
- Woven Glass:
Class F / Class H 12mm - 100mm wide

TYING CORD



Class B Material – Conforms to BS 6975:1988. We supply:

- **RT4** Wide - 2.5mm Long - 1800m
- **RT8** Wide - 4mm Long - 800m
- **RT16** Wide - 8mm Long - 350m
- **RT22** Wide - 11mm Long - 250m



- **No.1** Wide - 2.5mm Long - 2200m
- **No.2** Wide - 4mm Long - 210m
- **No 2** Wide - 4mm Long - 1145m

BEARINGS

- Regular and brass insulated bearings
- FAG and SKF amongst others
- Insulated bearings increase the service life of the bearings



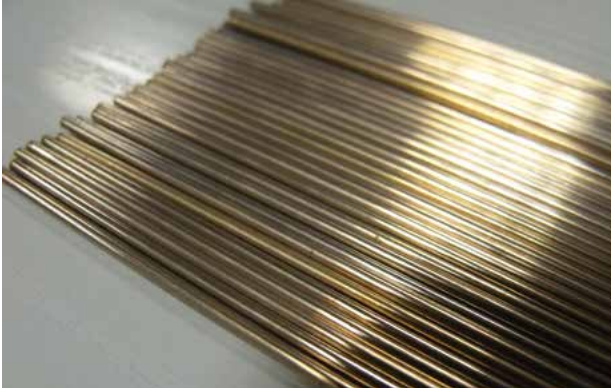
BEARING HEATERS

Mains frequency induction bearing heaters for the controlled expansion of bearings, couplings, gears, tubes and other interference-fit components in production assembly shops and plant maintenance departments. 3, 4 and 8 KW versions available.



BRAZING RODS

- Silfos
- Brazing rods are recommended for the fluxless brazing of copper to copper joints
- They are sold in 1kg lots with the more popular sizes being:
1.5mm, 2mm, 2.5mm and 3mm diameter.
- Other sizes and types are available on request



COPPER STRIP

- Copper strip from UK mills in 7 days.
- Paper, Mica and Nomex covered strips are available.
- There are no square strips available.



SMALL HAND TOOLS

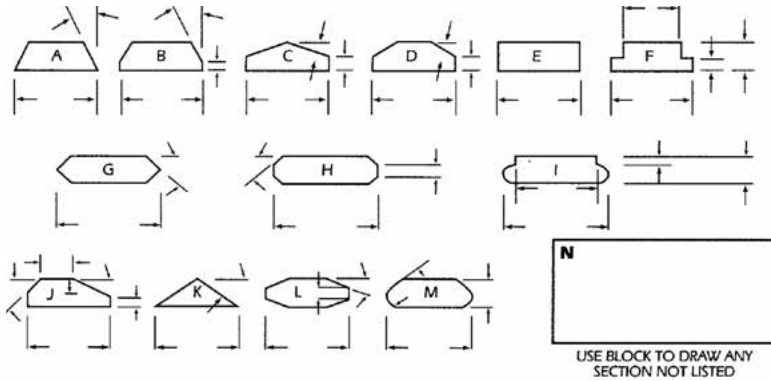
Wide Range of Hand Tools available:

- Isolex strippers
- Chisels
- Undercutting tools
- Slot scrapers
- Blades
- Wire inserts



MACHINED WEDGES

For ventilated wedges or any other machined part, please contact us



ORDER FORM FOR WEDGES & MACHINED PARTS

Material Required, tick where necessary:

EPOXY GLASS CLOTH G10 CLASS B-F	<input type="checkbox"/>	EPOXY GLASS CLOTH G11 CLASS F-H	<input type="checkbox"/>	EPOXY GLASS CLOTH MAGNETIC G11 CLASS F	<input type="checkbox"/>
SILICONE GLASS CLOTH CLASS H/C	<input type="checkbox"/>	PGM GP03 CLASS F	<input type="checkbox"/>	SRBP FABRIC CLASS F	<input type="checkbox"/>

TOTAL NO. OF WEDGES:
LENGTH OF WEDGES:
"T" THICKNESS IN mm (USE STOCK THICKNESS):
WEDGE SECTION REQUIRED (LETTER):
PLEASE ENCLOSE SAMPLE IF POSSIBLE WITH ANY COMMENTS SUCH AS "SLACK", "TIGHT" OR GOOD FIT



Making the
World a Smaller Place

3GK Ltd

Price Street Business Park
Park Street, Birkenhead
Wirral, CH41 3PE, U.K



T: +44 (0)151 647 5380

F: +44 (0)151 666 2660

E: enquiries@3gk.co.uk

W: www.3gk.co.uk

TERMS AND CONDITIONS

All goods remain the property of 3GK until paid for in full. Terms – as per agreement. Breakages and shortages must be notified within 7 days of receipt of goods, otherwise 3GK will not be responsible.

DISCLAIMER

All prices correct at time of print. 3GK reserve the right to change prices and specifications without notification.



OFFICIAL AEV AGENT
& DISTRIBUTOR

